

**USER'S MANUAL
for
AXIAL BLOWERS**

8" AC BLOWERS

9513
9513-AU
9513-E
9513-05
9513-05E
9514
9514-AU
9514-E
9514-05
9514-05E
9514-06
9514-06E
9514-25
9514-25AU
9514-25E
9534
9534-15
9534-25

8" DC BLOWERS

9506
9506-01
9506-25
9537
9537-15
9537-25

12" AC BLOWERS

9509
9509-01
9509-01E
9509-50
9509-50AU
9509-50E

12" DC BLOWER

9529

16" AC BLOWERS

9515
9515-AU
9515-E
9515-01
9516

16" DC BLOWER

9515-DC

20" AC BLOWERS

9525
9525-E
9525-01
9525-50
9525-01E
9525-220T

26" AC BLOWER

9530
9530-220T



Read and understand all instructions before using this product. Open carton carefully and inspect product for damage caused by carrier. If any damage is found, report and submit claim to carrier.

TABLE OF CONTENTS

	<u>PAGE</u>
INTRODUCTION	3
DESCRIPTION	3-4
SAFETY PRECAUTIONS	4-5
WARNINGS AND LIMITATIONS.....	6
OPERATING INSTRUCTIONS	7-8
MAINTENANCE	9
STORAGE	10
CONFINED SPACE	10
HAZARDOUS LOCATION INFORMATION.....	11
WARRANTY & RETURN POLICY	12-14

INTRODUCTION

This manual provides instructions for the use and maintenance of Allegro Industries Axial Blowers. You must read and understand this manual and be trained in the proper use of the equipment before using it in a contaminated atmosphere.

There are many federal, state and local codes and regulations governing sales, construction, installation and/or use of products for certain purposes which may vary. Allegro cannot be responsible for how the products are used and installed. Before purchase and use, the buyer must review the product application, and be sure that the product installation and use will comply with those regulations.

For more information and assistance on Allegro Industries products, contact Allegro Technical support toll free at 1-800-622-3530 or e-mail at: techsvc@allegrosafety.com

DESCRIPTION

Allegro Axial Blowers are designed to offer high output CFM in easy-to-use portable, air-over-motor configurations. They are available in outputs from 778 up to 9570 CFM of free air. Axial blowers are available in a range of styles, sizes and power. For Explosion-Proof Blowers, the receptacle should be installed by qualified personnel and is sold separately (P/N 9503-03 for 125V & P/N 9503-06 for 250V). Blowers include:

9509	Standard Axial 12" Blower
9509-01	Explosion Proof 12" Axial Blower
9509-01E	Explosion Proof 12" Axial Blower*
9509-50	High Output Axial 12" Blower
9509-50AU	High Output Axial 12" Blower*
9509-50E	High Output Axial 12" Blower*
9513	Standard Axial 8" Blower
9513-05	Explosion Proof 8" Axial Blower
9513-05E	Explosion Proof 8" Axial Blower*
9513-AU	Standard Axial 8" Blower *
9513-E	Standard Axial 8" Blower *
9514	Standard Axial 8" Blower with 15' Ducting Canister
9514-05	Explosion Proof 8" Axial Blower with 15' Ducting & Canister
9514-05E	Explosion Proof 8" Axial Blower with 15' Ducting & Canister*
9514-06	Explosion Proof 8" Axial Blower with 25' Ducting & Canister
9514-06E	Explosion Proof 8" Axial Blower with 25' Ducting & Canister*
9514-25	Standard Axial 8" Blower with 25' Ducting & Canister
9514-25AU	Standard Axial 8" Blower with 25' Ducting & Canister*
9514-25E	Standard Axial 8" Blower with 25' Ducting & Canister*
9514-AU	Standard Axial 8" Blower with 15' Ducting & Canister*
9514-E	Standard Axial 8" Blower with 15' Ducting & Canister*
9515	Standard Axial 16" Blower
9515-01	Explosion Proof 16" Axial Blower
9515-AU	Standard Axial 16" Blower*
9515-E	Standard Axial 16" Blower*
9516	High Output Axial 16" Blower
9525	Standard Axial 20" Blower
9525-01	Explosion Proof 20" Axial Blower
9525-01E	Explosion Proof 20" Axial Blower*
9525-50	High Output Axial 20" Blower
9525-220T	High Output Axial 20" Blower (High voltage w/twist lock plug)
9525-E	Standard Axial 20" Blower*
9530	Standard Axial 26" Blower
9530-220T	Axial 26" Blower (220V/60Hz w/50' cord)

(cont'd)

9534	Com-Pax-ial 8" Blower
9534-15	Com-Pax-ial 8" Blower with 15' Ducting and Canister
9534-25	Com-Pax-ial 8" Blower with 25' Ducting and Canister

The following are available with a 12-volt DC motor, models include:

9506	Standard Axial 8" Blower
9506-01	Standard Axial 8" Blower with 15' Ducting Canister
9506-25	Standard Axial 8" Blower with 25' Ducting & Canister
9515-DC	Standard Axial 16" Blower
9529	Standard Axial 12" Blower
9537	Com-Pax-ial 8" Blower
9537-15	Com-Pax-ial 8" Blower with 15' Ducting and Canister
9537-25	Com-Pax-ial 8" Blower with 25' Ducting and Canister

** Models available in 220V/50Hz*

SAFETY PRECAUTIONS

DO NOT operate blower until the operator completely comprehends the contents of this manual.

The blower is a specialized type of powered equipment, designed for a specific job function and requires adequate and thorough instruction BEFORE it is operated. Each person must receive adequate professional instruction regarding proper operation. Read and understand this User Manual and the material supplied by the motor manufacturer. Refer to OSHA 2207, for job safety and health rules and regulations (1926 and 1910) covering construction.

DO NOT set-up or operate a blower without verifying the location classification and match or exceed location requirements for blower type. Certain job site locations may be classified as hazardous because of explosive concentrations of gas, vapor or dust in the atmosphere. The National Electric Code (NEC) divides these locations into Classes and Groups according to the type of explosive agent. For specific information, consult the **NEC, Section 500-504 and 510-517**. Use Allegro Explosion-Proof Blowers for operation in an explosive or flammable atmosphere that match or exceed location requirements. The use of any other blower not designed for use in a Hazardous Location may result in personal injury or death.

DO NOT use an undersized wire size on electrical power cable or extension cords if used. This will adversely limit the starting and load carrying capabilities of the motor. Always use minimum AWG wire sizes for motor branch circuits. Consult the National Electric Code Tables, Article 400, for specific information.

DO NOT operate the blower without the inlet and outlet screens properly secured and in place. Replace screens with factory replacements (OEM). The screen grid must comply with current OSHA regulations regarding protective enclosures to prevent personal injury to the operator(s). Ensure the structural integrity of the screens will allow them to serve their protective function. Keep both screens free from obstructions and debris to allow maximum airflow.

DO NOT stand directly in front of and/or face the blower outlet. Personal injury may result from debris being thrown from the blower fan at relatively high velocity.

DO NOT allow minors to operate the blower. Bystanders, children and animals should not be allowed in the area where a blower is in use.

DO implement an operational safety program for this blower, to include but not limited to: instructional requirements for operation, applicable OSHA requirements, local laws and regulations, job site safety and blower maintenance. Operators must be fully instructed regarding the specifics of this safety program. (Ref. 29CFR 1926.21 (b)(2)).

DO ensure the blower is in its original, factory configuration and has not been modified. Any modifications may result in potentially dangerous configurations that can lead to property damage and/or personal injury. As well as voiding the manufacturer's warranty

DO ensure operator(s) are in adequate physical condition, mental health and not under the influence of any substance (drugs, alcohol, etc.) which might impair vision, dexterity or judgment. If you have any condition that might be aggravated by strenuous work, check with your doctor before operating the blower. Guard against the possibility of back related injuries. Always use proper lifting techniques when moving or carrying blower.

DO wear sturdy and snug fitting clothing. Never wear loose fitting clothing or anything that could become caught on controls or moving parts. Wear long pants to protect your legs. To improve your grip and protect your hands, wear heavy duty, non-slip gloves. Wear steel-toed safety boots with non-slip soles. Sneakers or other similar type shoes do not provide adequate protection.

DO wear an approved safety hard hat.

DO wear sound barriers (ear plugs or ear muffs). Noise, generated by the blower, may damage your hearing. Continuous and regular operators should have their hearing checked regularly.

DO a visual inspection of the blower and check for damaged, worn, loose and/or broken parts. Ensure all safety devices are operable and information decals are readable. Ensure the blower and all related accessories are in good mechanical condition before use.

DO ground the blower securely. Ensure the "grounding" wire and/or device is properly grounded. Failure to properly ground the blower may cause an electrical shock and/or electrocution, resulting in personal injury or even death.

DO use a ground fault circuit interrupter (GFCI). A GFCI is a safety device that disconnects power from a circuit to a load when a potentially dangerous condition occurs. The GFCI acts like a fast-acting fuse or circuit breaker, sensing small imbalances in the circuit caused by current leakage, and shutting off electricity within 25mS (milliseconds). Use of a portable GFCI gives on-the-job protection from electrical shock hazards caused by ground faults in commercial, industrial and residential applications. Electrically driven blowers are designed to operate **ONLY** from a grounded 115 volt AC, 60Hz or 220V/60Hz (select models w/220V/50Hz), single phase power source. All electrical wiring installations and connections must comply with all applicable NEC statutes and with all applicable local codes and practices. *(For specific information, consult the NEC publications and OSHA publications 210-22D for construction sites and 555-3 for marina's or for use around any area containing water.)*

DO know where the controls are, how they operate, and how to stop the blower in an emergency.

DO place the blower on secure footing to prevent it from shifting while in use. Such movement can cause injury to the operator(s) or damage to the blower itself.

DO ensure blower is operated in a horizontal position to meet the enclosure definition. The blower is designed for operation in job site areas that are reasonably dry, clean and provide for a continuous, dynamic source of air for cooling the motor. Any questions about operating environments, contact the Allegro Technical Support at 1-800-622-3530, or e-mail at techsvc@allegrosafety.com, before using the blower.

WARNINGS AND LIMITATIONS

Manufacturing tolerances and specific operating parameters will affect the overall flow rate(s) for each particular blower. Actual flow rate will decrease when the total length of the ducting is increased more than 15 feet (7.6m). Actual flow rates may change if blower is used with ducts manufactured and/or supplied by other sources.

CAUTION!

The final working procedure for any job application involving the use of the blower must be individually determined after careful analysis of all factors and/or conditions present. The nearest OSHA office is a valuable source for applicable information regarding the operation of the blower.

DANGER!

Before using the blower, check all applicable federal, state, industry and local regulations regarding the use of flame resistant and/or self-extinguishing duct materials for the intended job applications. It is the responsibility of the owner(s) and/or operator(s) to determine that the duct material in use for the job application meets all applicable fire code and OSHA requirements

DANGER!

Always stop the motor and disconnect the power source to prevent accidental starting and/or the possibility of receiving an electrical shock.

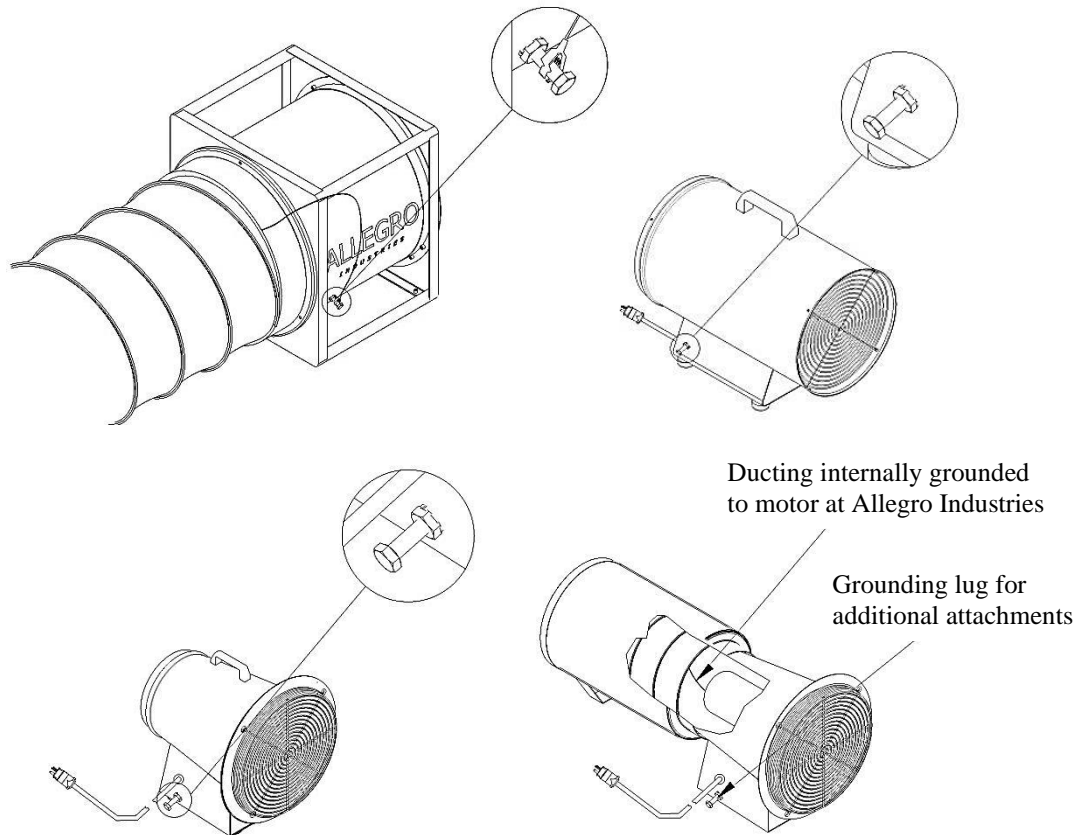
DANGER!

Never enter a manhole or confined work area, until it has been determined to be safe for entry and tested with appropriate gas detection equipment and ventilated for a minimum of five (5) minutes with the blower at maximum speed.

OPERATION

Use of Duct:

1. Operate the blower upwind from the work location and with the air inlet facing into the relative wind to maximize air flow.
2. The Allegro flexible ducts are for use with Allegro blowers.
 - a. Each duct is supplied with a nylon strap to secure each end to the blower and or a duct connector.
 - b. When using statically conductive ducting, the integrated grounding wire must be properly:
 - i. Grounded to the blower chassis. (See images below for locations.)
 - ii. Linked to any additional grounding wire or duct used.



3. It is recommended the total length of duct does not exceed 100 feet.
4. To join two sections of duct, use a duct-to-duct connector. Secure each "grounding wire" by clipping them to each other.
5. Pull duct sleeve over the outlet port and secure the duct to the blower with the nylon clamping strap and tighten securely.
6. For exhaust (air blowing) operations, connect the duct to the blower outlet.
 - a. The duct can be one of two types:
 - i. Collapsible, non-reinforced.
 - ii. Non-collapsible, flexible, reinforced.
7. For extraction (air evacuation) operations, connect the duct to the blower inlet.
 - a. The duct must be of the reinforced type to prevent the vacuum force generated by the blower's suction from collapsing the duct.

- b. For the 8" & 12" *Com-Pax-ial* blowers, duct can be secured on either side of blower with canister only.
- c. For the 8" *9513 Series Axial* blowers an optional inlet adapter (P/N: 9500-03) must be used.
 - i. Remove the inlet grill.
 - ii. Attach the inlet adapter and secure.
- d. For the 16" & 20" *Standard* or 16" & 20" *Explosion Proof Axial* blower.
 - i. Remove the ring flange from the exhaust and relocate to the inlet side and secure.

DANGER!

Before using the blower, check all applicable federal, state, industry and local regulations regarding the use of flame resistant and/or self-extinguishing duct materials for the intended job applications. It is the responsibility of the owner(s) and/or operator(s) to determine that the duct material in use for the job application meets all applicable fire code and OSHA requirements.

WARNING!

GENERATOR USAGE

It is important to use the proper size generator when powering a blower. Using an undersized generator may cause damage to the blower motor. Use of a generator at the minimum recommended output with additional devices can cause decreased output or blower stoppage.

Voltage and Power Selection:

1. The voltage, frequency and phase of the power supply must be consistent with the motor nameplate rating.
 - a. The motor will operate satisfactorily on voltages within 10% of the nameplate value or frequency within 5%. The combined variation must not exceed 10%.
2. The Allegro blowers are designed to operate from a grounded, 115 VAC, 60Hz or 220V/60Hz, single phase power source.
 - a. Select models are available in a 220V/50Hz. single phase configuration.
 - b. It is crucial to the performance of the blower that the proper power source is selected.
3. Standard 115 volt blowers are supplied with a NEMA 5-15P plug or a NEMA twist-lock plug (excluding 220V/50Hz blowers).
 - a. Do not change or alter the plug as this will affect the performance of the blower.
 - b. Operation from an inadequate power source or use of incorrect electrical plug may result in property damage and/or personal injury.
4. To determine maximum length of extension cord, when used with a blower, refer to the National Electric Code Tables, Article 400.

CAUTION!

When choosing an extension cord, ensure that the cord is not an undersized wire. As a "Rule of Thumb", the diameter of cable for an extension cord should be larger than the diameter of the cord being plugged into it. Consult the NEC (National Electrical Code) Tables for specific cord size information.

MAINTENANCE

Maintenance & Repair:

- Use only genuine Allegro approved, replacement parts for maintenance and repair. Use of parts manufactured by others can result in property damage and/or personal injury.
- Follow the service instructions as outlined in the Maintenance section of this User's Manual.
- Always properly maintain the blower. Frequently check all fasteners and individual parts. Built-in safety features are effective only if they are maintained in good working condition. Keep the blower clean and properly serviced. Heavy accumulations of dust and dirt will result in overheating and premature failure of the blower motor. Clean the motor surfaces and all ventilation openings periodically.
- Always stop the motor and disconnect the power source to prevent the accidental starting and/or the possibility of receiving an electrical shock working on the blower.
- Do not energize the electric motor with the shaft key exposed on the open shaft. Personal injury can result from being struck by a shaft key thrown from the motor shaft.

DANGER!

Always stop the motor and disconnect the power source to prevent the accidental starting and/or the possibility of receiving an electrical shock.

Do not attempt any maintenance or repair work not described in this User's Manual!

Electric Motor Maintenance:

- The electric motor is capable of operating for many years with minimum maintenance.
- Before attempting to service the motor, disconnect the blower from the power supply.
- Clean the motor surfaces and ventilation openings periodically, preferably with a vacuum cleaner. Heavy accumulation of dirt and lint will result in overheating and premature failure of the motor.
- The electric motor is equipped with ball bearings, and under normal service and ambient temperatures, should not require re-lubrication for 9 to 10 years. If you feel that the motor requires re-lubrication, contact the local service representative of the motor manufacturer for specific information.

STORAGE

The proper procedure for long-term storage of the blower will protect it against the effects of corrosion and damage. If the blower is not to be operated for a period of 30 days or more, proceed to store as follows:

1. Clean all accumulated dirt and grease from the blower using an appropriate cleaner.
2. Check parts for wear or damage. Make the necessary repairs.
3. Apply a light coat of dry film lubricant to the blower hub and shaft to prevent rust formation.
4. Store the blower indoors. If the blower must be stored outdoors, protect it from the elements with a suitable enclosure or storage.

CONFINED SPACE APPLICATIONS

DANGER!

Refer to local and federal OSHA Confined Space Laws and Regulations.

CAUTION!

The final working procedure for any job application involving the use of the blower must be individually determined after careful analysis of all factors and/or conditions present. The nearest OSHA office is a valuable source for applicable information regarding the field use of the blower.

HAZARDOUS LOCATION INFORMATION

DANGER!

The “Hazardous Location Plug” supplied with Allegro Explosion Proof Blowers, must be used with an approved Hazardous Location Receptacle for operation in a specific Hazardous Location Atmosphere. Use of any Non-Hazardous Location Atmosphere receptacle in a Hazardous Location could create a random spark. Such an occurrence can be the ignition source of an explosion, resulting in property damage and/or personal injury or death.

- Only Statically Conductive Ducting may be used with Explosion Proof Blowers.
- The Allegro Explosion Proof Blowers are designed to be used in the following hazardous locations:

Blower	9513-05	9514-05	9514-06	9509-01	9515-01	9525-01
Class	I			II		
Division	1 & 2			1 & 2		
Group	C & D			F & G		

- For 50 Hz Blowers, refer to the spec. label for hazardous class and group.
- Verify your location classification. The National Electric Code divides these locations into Classes and Groups according to the type of explosive gas/agent, which may be present. For specific information on Hazardous Location requirements, consult the National Electric Code, Section 500 through 517, or qualified personnel. For reference, see OSHA website @ <http://www.osha.gov/doc/outreachtraining/htmlfiles/hazloc.html>.
- The Hazardous Location plug and receptacle must be used and properly wired using a conduit system to the power source.

WARNING!

Hazardous location receptacle, or socket, must be installed by qualified personnel.

DANGER!

Hazardous location equipment may be required in any area where the presence of flammable gases, vapors or finely pulverized dusts in the atmosphere is sufficient to create a threat of explosion or fire. It may also be required where easily ignitable fibers or flyings are present.

WARNING!

Explosion-proof blowers MUST BE used with statically conductive ducting.

**ALLEGRO INDUSTRIES
LIMITED WARRANTY AND WARRANTY SERVICE AND RETURN POLICY**

Express Warranty

The warranty obligations of Allegro Industries (“Allegro”) are limited to the terms set forth below:

All products, equipment and parts (collectively “Product” or “Products”) sold by Allegro, either directly to its customers, or indirectly from its suppliers or distributors to their customers, are warranted, to the original end-user purchaser who/that receives the original, unaltered Product (“Purchaser”), to be free from defects in workmanship and materials under normal use for one (1) year from the date of sale to the Purchaser, when installed properly and used normally and in accordance with written operation instructions, if any (“Limited Warranty”) (“Warranty Period”). No other express or implied warranty is given, and no affirmation of Allegro, by words or action, will constitute a warranty.

This Limited Warranty is conditioned upon proper use of the Product by Purchaser and applies only to Products manufactured by or for Allegro that can be identified by the Allegro trademark, trade name or logo affixed to them. This Limited Warranty does not apply to or cover: (a) defects or damage caused by or resulting from external causes including, but not limited to, accident, carrier handling, improper packaging in shipment; abuse, misuse, neglect, unusual physical stress, cosmetic damage, flood, fire, earthquake or other natural disasters; (b) normal wear and tear; (c) any modification of any part of the Product; (d) damage caused by using the Product outside the permitted or intended uses described by Allegro or written instructions; (e) malfunctions resulting from the use of the Product in conjunction with accessories, products or ancillary/peripheral equipment not furnished or approved by Allegro; (f) defects or damage caused by improper testing, operation, maintenance, installation or adjustment; or (g) defects or damage caused by installation and/or service performed by anyone who is not authorized by Allegro.

Each Purchaser agrees and acknowledges that the use, installation and/or operation of the Products shall be at Purchaser’s own risk and may result in severe injury, death and/or damage to persons or real and/or personal property.

No Allegro supplier, distributor, officer, agent or employee is authorized to make any modification, extension, change or amendment to this Limited Warranty without the express prior written consent and authorization by the President of Allegro.

Allegro reserves the right to make improvements or changes to its Products at any time, without incurring any obligation to Purchasers, suppliers, distributors or customers who/that previously purchased Products directly or indirectly from Allegro.

EXCEPT AS SET FORTH IN THE EXPRESS WARRANTY CONTAINED HEREIN, PURCHASER TAKES THE PRODUCT “AS IS.” THERE ARE NO EXPRESS OR IMPLIED WARRANTIES OR CONDITIONS BEYOND THOSE STATED IN THIS LIMITED WARRANTY STATEMENT. ALLEGRO DISCLAIMS ALL OTHER WARRANTIES AND CONDITIONS, EXPRESS OR IMPLIED, INCLUDING, BUT NOT LIMITED TO, THE WARRANTY OF MERCHANTABILITY OF THE PRODUCTS AND THEIR FITNESS FOR ANY PARTICULAR PURPOSE.

NOTHING CONTAINED IN ANY WRITTEN INSTRUCTIONS OR WRITTEN INSTRUCTION OR OPERATION MANUAL OR CATALOG SHALL BE CONSTRUED TO CREATE A WARRANTY OF ANY KIND WHATSOEVER WITH RESPECT TO THE PRODUCT.

IN ADDITION, TO THE FULLEST EXTENT PERMISSIBLE BY APPLICABLE LAW, ALLEGRO SHALL NOT BE LIABLE FOR ANY INJURY OR DAMAGE TO PERSONS OR PROPERTY OF ANY KIND, OR FROM ANY LOSS OF TIME, INCONVENIENCE, OR LOSS OF USE, INCLUDING ANY CONSEQUENTIAL, INCIDENTAL OR SPECIAL DAMAGES ARISING DIRECTLY OR INDIRECTLY OUT OF OR IN CONNECTION WITH THE USE, INSTALLATION AND/OR PERFORMANCE OF THE PRODUCT OR PRODUCTS, WHETHER SUFFERED BY SUPPLIER, DISTRIBUTOR, CUSTOMER, PURCHASER OR ANY OTHER PARTY, AND REGARDLESS OF THE LEGAL THEORY UPON WHICH THE CLAIM IS BASED, EVEN IF ALLEGRO HAS BEEN ADVISED OF THE POSSIBILITY OF SUCH DAMAGES. WITHOUT OTHERWISE LIMITING THE FOREGOING, IN NO EVENT SHALL RECOVERY OF ANY KIND AGAINST ALLEGRO BE GREATER IN AMOUNT THAN THE PURCHASE PRICE OF THE PRODUCT. THIS WARRANTY GIVES YOU LIMITED SPECIFIC LEGAL RIGHTS.

Warranty Service and Return Policy during Warranty Period

The following requirements must be followed before returning any Product or Products to Allegro:

1. All Purchasers must obtain a Return Merchandise Authorization Number ("RMA#") before returning any Product to Allegro. Allegro will refuse to accept any Product returned that does not have the RMA# clearly marked on the outside of the package or box. The Purchaser may obtain this RMA# by telephoning Allegro's Customer Service number at (800) 622-3530, or by requesting it in writing by mailing the written request to Allegro Industries, 1360 Shiloh Church Road, Piedmont, South Carolina 29673, or by faxing the written request to Allegro Industries at (800) 362-7231.

2. Upon Allegro's issuance of RMA # to a Purchaser, the Purchaser must decontaminate and clean the Product to remove any hazardous materials which may have settled on the Product during use. Allegro reserves its rights to refuse, and will refuse, to accept any Product suspected of being contaminated and/or containing any dangerous chemical(s) or material(s), and will return that Product or those Products to the Purchaser, freight collect.

3. All Purchasers must return the Product or Products to Allegro freight prepaid, with the RMA# clearly marked on the outside of the box or package. Each Product to be returned should be packaged in its original Product packaging materials or equivalent, and be well padded, to prevent damage when in transit, and should be adequately insured by Purchaser. All Purchasers must bear the risk of loss of the Product during transit from Purchaser to Allegro. Inside the Product's package, please enclose your name, address, and telephone number, a description of the problem and a model and/or serial number for each Product returned.

Upon Allegro's receipt of a returned Product from a Purchaser that meets the above requirements, Allegro will determine in its sole discretion whether the Product is defective. If Allegro determines that the Product is not defective and/or does not meet the terms of this Limited Warranty, Allegro will return the Product to the Purchaser freight collect. If Allegro determines that the Product is defective, Allegro will determine in its sole discretion whether to repair or replace the defective Product covered by this Limited Warranty.

Each Purchaser's sole and exclusive remedy for defects in Products covered by this Limited Warranty is limited to Allegro's correction of the defect by repair or replacement.

4. Authorized returns of saleable merchandise, other than shipments made in error by Allegro, will be subject to a 20% restocking charge.

Warranty Terms

This Limited Warranty represents the complete and exclusive agreement covering this subject matter between Allegro and Purchaser and supersedes any prior agreements and/or communications regarding the subject matter hereof. The terms of this Limited Warranty shall be governed and construed in accordance with the laws of the State of California, without regard to any conflict of law principle that would result in the laws of any other jurisdiction governing this Limited Warranty. Any action or proceeding arising out of this Limited Warranty shall be litigated in the California Superior Court located in Ventura, California. Each Purchaser purchasing any Product from Allegro, directly or indirectly, shall be deemed to consent and submit to the jurisdiction of the state court located in Ventura County, California. If any term or provision contained in this Limited Warranty is determined to be unenforceable in any respect, the enforceability of the term or provision in any other respect and of the remaining terms and provisions of this Limited Warranty shall not be impaired. This Limited Warranty shall not extend to anyone other than the original Purchaser of the Product(s) and shall be Purchaser's exclusive remedy. Each Purchaser acknowledges that this Limited Warranty will always be construed to be limited by its terms to the greatest extent as the law permits.

**Allegro Industries Warranty Registration
Information is provided in the link below.**
<https://www.allegrosafety.com/support/warranty-form/>

UM004 Rev. Z
01/21/20
DCN #D1169